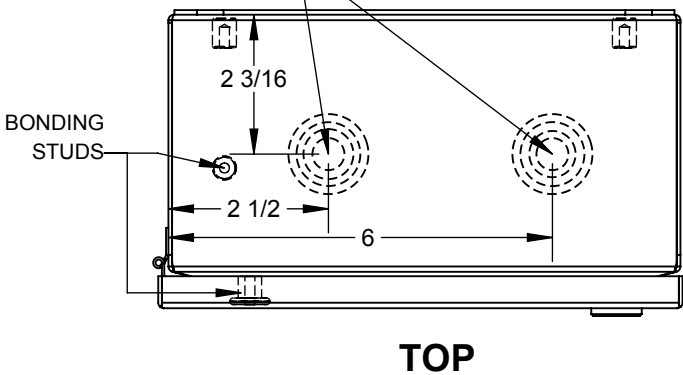



RECOMMENDED CONDUIT HOLE LOCATIONS
FOR 1/2", 3/4", 1", OR 1-1/4" CONDUIT ONLY



NOTES:

1. ALL MEASUREMENTS IN INCHES.
2. ENCLOSURE ENVIRONMENTAL RATING: TYPE 4, 13, 12.
3. BEFORE CUTTING CONDUIT HOLES, REMOVE FOUR SCREWS SECURING INNER PANEL AND REMOVE INNER PANEL WITH ATTACHED EQUIPMENT. CLEAN ALL METAL FILINGS OUT OF THE ENCLOSURE.
4. CUT CONDUIT HOLES ONLY IN LOCATIONS WHERE CONDUIT FITTINGS WILL BE INSTALLED.
5. TO MAINTAIN ENCLOSURE ENVIRONMENTAL RATING, THE INSTALLER MUST USE CONDUIT HUBS/FITTINGS WITH THE SAME ENVIRONMENTAL RATING AS THE ENCLOSURE.
6. MAINTAIN SPACING OF AT LEAST 1/2 INCH BETWEEN CONDUIT HUBS/FITTINGS AND UNINSULATED LIVE CONDUCTORS.
7. ROUTE INCOMING HIGH VOLTAGE CONDUCTORS AT LEAST 1/4 INCH AWAY FROM CURRENT TRANSFORMER (CT) AND COMMUNICATIONS CONDUCTORS. ROUTE CT CONDUCTORS AT LEAST 1/4 INCH AWAY FROM COMMUNICATIONS CONDUCTORS.
8. USE CABLE TIES TO SECURE CONDUCTORS TO EACH OTHER AND TO MAINTAIN SPACING.

Meter Enclosure - Mechanical					Continental Control Systems, LLC
DRAWING # ME1-CFN-1_Mech_RevA					
PART # ME1-CFN-1	NAME	DATE		<small>Socomec Group</small>	<small>www.ctsys.com (303) 444-7422</small>
REVISION: A	DRAWN CAH	05/30/2018			
SHEET: 1 OF 1	CHECKED NWC	05/30/2018			