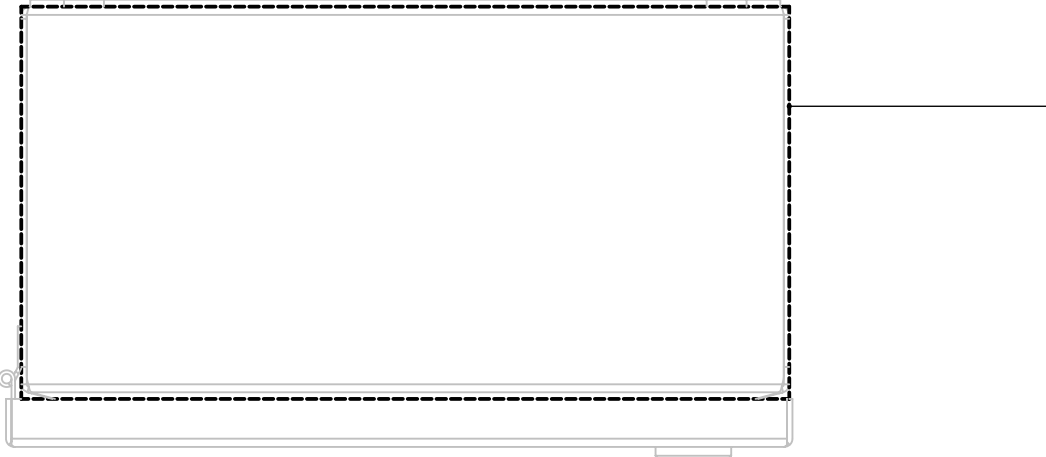

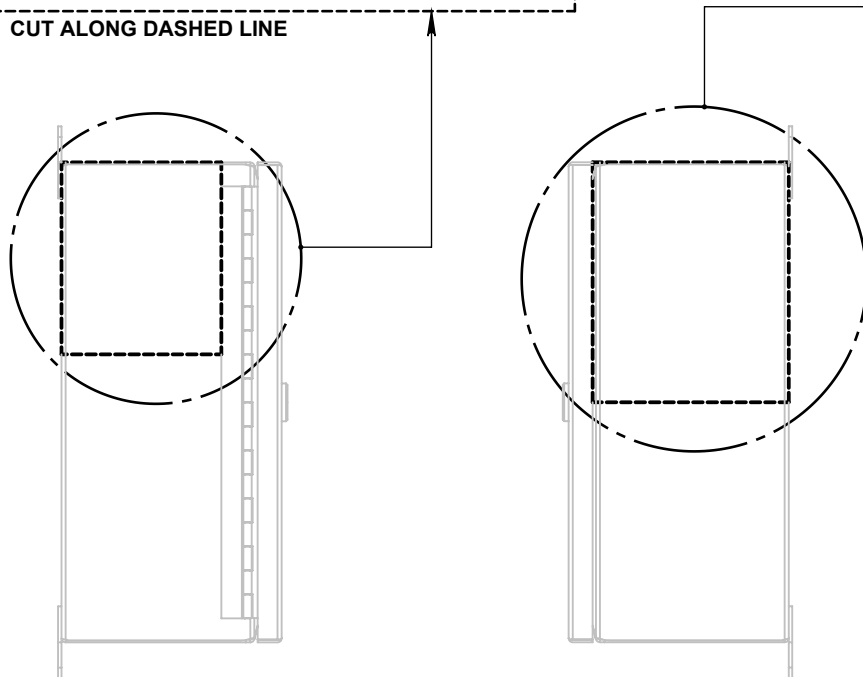
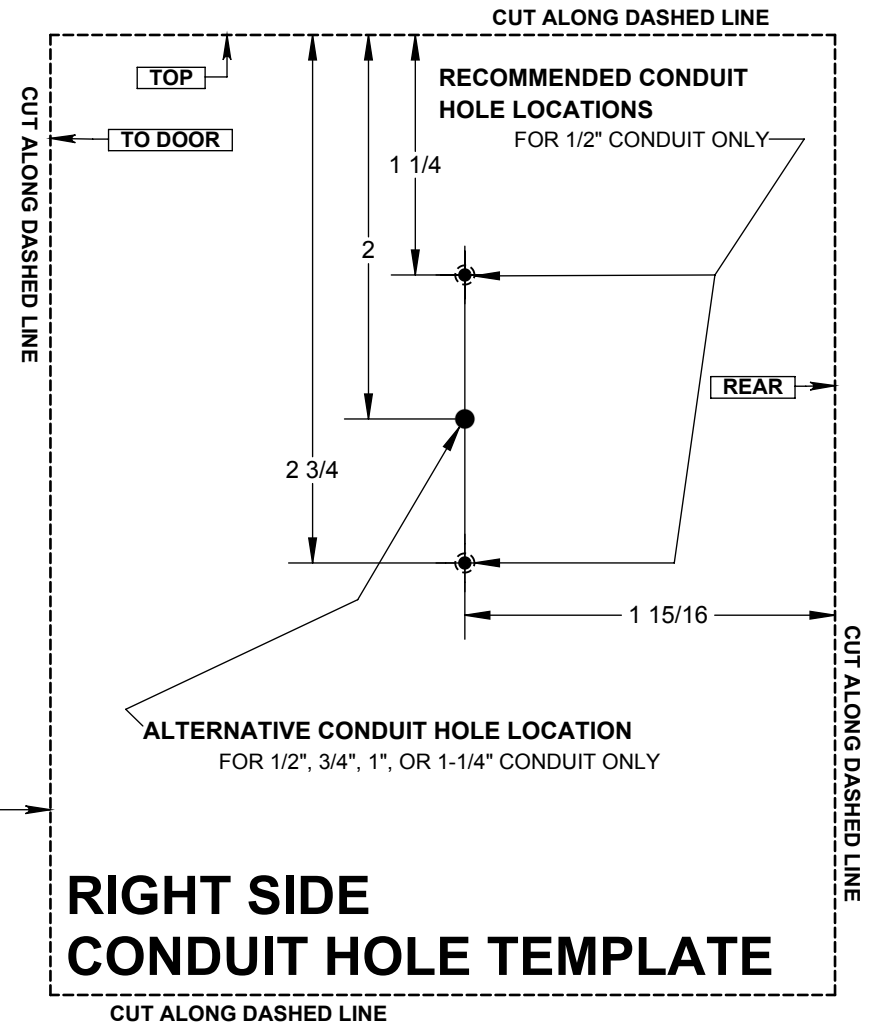
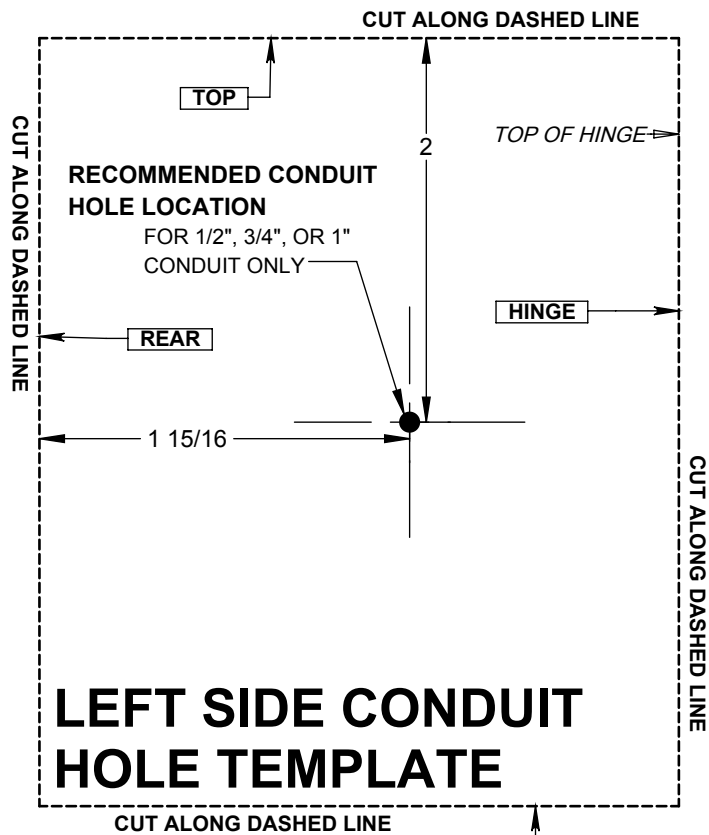


NOTES:

1. ALL MEASUREMENTS IN INCHES.
2. CUT CONDUIT HOLES ONLY IN LOCATIONS WHERE CONDUIT HUBS/FITTINGS WILL BE INSTALLED AND CONDUCTORS WILL BE ROUTED. DO NOT LEAVE UNCOVERED OPENINGS IN THE ENCLOSURE.
3. USE THE RECOMMENDED (OR ALTERNATIVE) CONDUIT HOLE LOCATIONS TO AVOID INTERFERENCE WITH BONDING STUDS AND MOUNTING POSTS AND TO PREVENT THE CONDITION OF UNSAFE SPACINGS BETWEEN CONDUIT FITTINGS AND UNINSULATED LIVE CONDUCTORS.




Meter Enclosure - Top Template					Continental Control Systems, LLC
DRAWING # ME1-CFN-1_Template_RevA					
PART # ME1-CFN-1	NAME	DATE		<small>Socomec Group</small>	<small>www.ctsys.com (303) 444-7422</small>
REVISION: A	DRAWN CAH	07/09/2018			
SHEET: 1 OF 2	CHECKED NWC	07/09/2018			



NOTES:

1. ALL MEASUREMENTS IN INCHES.
2. CUT CONDUIT HOLES ONLY IN LOCATIONS WHERE CONDUIT HUBS/FITTINGS WILL BE INSTALLED AND CONDUCTORS WILL BE ROUTED. DO NOT LEAVE UNCOVERED OPENINGS IN THE ENCLOSURE.
3. USE THE RECOMMENDED (OR ALTERNATIVE) CONDUIT HOLE LOCATIONS TO AVOID INTERFERENCE WITH BONDING STUDS AND MOUNTING POSTS AND TO PREVENT THE CONDITION OF UNSAFE SPACINGS BETWEEN CONDUIT FITTINGS AND UNINSULATED LIVE CONDUCTORS.

Meter Enclosure - Side Templates					Continental Control Systems, LLC
DRAWING # ME1-CFN-1_Template_RevA					
PART # ME1-CFN-1	NAME	DATE		<small>Socomec Group</small>	<small>www.ctlsys.com (303) 444-7422</small>
REVISION: A	DRAWN CAH	07/09/2018			
SHEET: 2 OF 2	CHECKED NWC	07/09/2018			