

**DISCONNECT SWITCH AND OVERCURRENT PROTECTION:**

THE INSTALLER MUST PROVIDE AN EXTERNAL MEANS OF DISCONNECT AND OVERCURRENT PROTECTION FOR EACH INCOMING SUPPLY CURRENT. OVERCURRENT PROTECTION DEVICES MUST BE UL LISTED CIRCUIT BREAKERS OR FUSEHOLDERS WITH FUSES.

**CIRCUIT BREAKER REQUIREMENTS:**

1. MUST BE LISTED TO UL STANDARD 489.
2. MUST BE RATED FOR NO LESS THAN VOLTAGE OF INCOMING SUPPLY.
3. MUST BE RATED FOR BETWEEN 0.5A AND 20A.

**FUSEHOLDER REQUIREMENTS:**

1. MUST BE LISTED TO UL STANDARD 4248-1 AND THE APPLICABLE PART OF THE 4248 SERIES.
2. MUST BE RATED FOR NO LESS THAN AMPERAGE AND VOLTAGE OF FUSE SELECTED.

**FUSE REQUIREMENTS:**

1. MUST BE LISTED TO UL STANDARD 248-1 AND THE APPLICABLE PART OF THE 248 SERIES.
2. MUST BE CLASS CC, G, J, RK1, RK5, OR T TYPE.
3. MUST BE TIME-DELAY AND CURRENT-LIMITING.
2. MUST BE RATED FOR NO LESS THAN VOLTAGE OF INCOMING SUPPLY.
5. MUST BE RATED FOR BETWEEN 0.5A AND 20A.

**NOTES:**

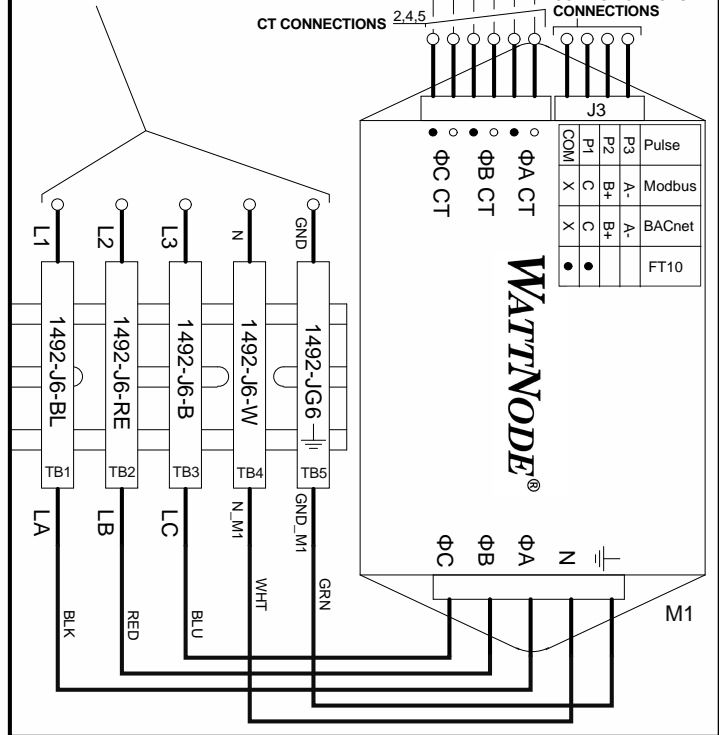
1. DO NOT CONNECT LINE CONFIGURATIONS OTHER THAN AS SPECIFIED.
2. USE CONDUCTORS RATED FOR 600V MINIMUM.
3. FOR USE ON A SOLIDLY GROUNDED WYE SOURCE ONLY.
4. CLASS 1 CONTROL CIRCUIT: < 5V, < 1VA.
5. "CT" IS AN ABBREVIATION FOR "CURRENT TRANSFORMER".
6. FIELD WIRING TERMINALS ARE MARKED WITH A CIRCLE (○).

**ENCLOSURE**

**LINE VOLTAGE CONNECTIONS**

SUPPORTED LINE CONFIGURATIONS<sup>1,2</sup>

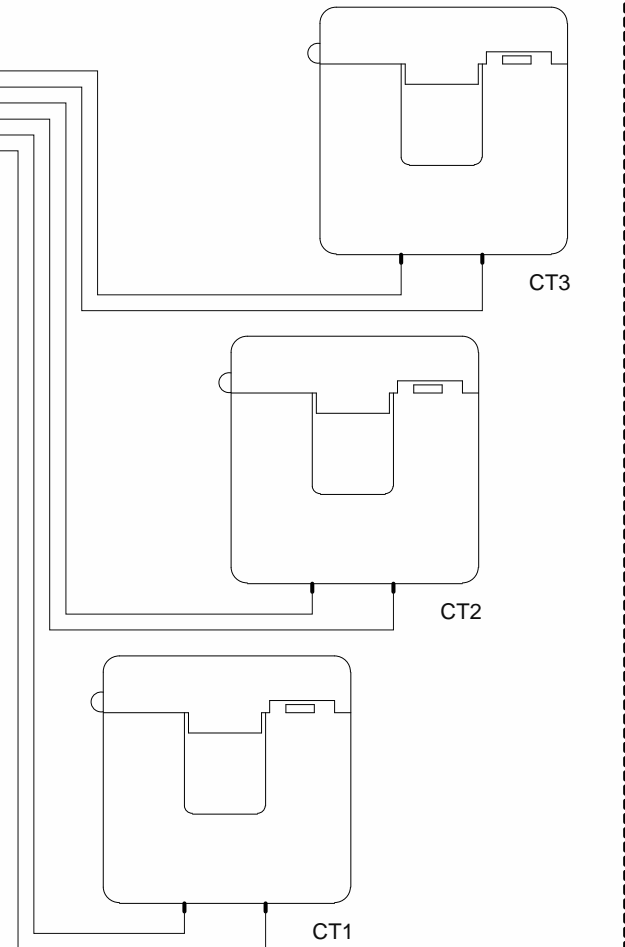
- 1Φ, 2-WIRE 208V (NO NEUTRAL), 50-60Hz
- 1Φ, 2-WIRE 240V (NO NEUTRAL), 50-60Hz
- 1Φ, 3-WIRE 120/240V, 50-60Hz
- 3Φ, 3-WIRE 208-240V (NO NEUTRAL), 50-60Hz
- 3Φ, 4-WIRE 120/208V, 50-60Hz<sup>3</sup>



**COMMUNICATIONS CONNECTIONS<sup>2,4</sup>**


COM	P1	P2	P3	Pulse
X	C	A-	A-	Modbus
X	C	B+	B+	BACnet
•	•	C	C	FT10

**EXTERNAL CURRENT TRANSFORMERS**



**CURRENT TRANSFORMER CONNECTIONS**

ABOVE ILLUSTRATES A TYPICAL SETUP. FROM ONE TO THREE CURRENT TRANSFORMERS MAY BE CONNECTED TO WATTNODE METER M1. CURRENT TRANSFORMERS ARE NOT PROVIDED WITH THE PANEL AND SHALL BE PROVIDED BY THE INSTALLER.

<b>Meter Enclosure</b>				 <b>Continental Control Systems, LLC</b>
DRAWING # ME1-N-1_Wiring_3D240_RevA				
PART #	ME1-N-1	NAME	DATE	Socomec Group www.ctlsys.com (303) 444-7422
REVISION:	A	DRAWN	CAH 07/12/2018	
SHEET:	1 OF 1	CHECKED	NWC 07/12/2018	