

## Features

- UL 508A Listed industrial control panel
- NEMA 1, 2, 3, 3R, 4, 4X, 12, and 13 rated enclosure (must use NEMA 4 hubs to preserve NEMA 4 rating or NEMA 4X hubs to preserve 4X rating)
- 10 x 8 x 4 inch (approx.) enclosure
- Lightweight, corrosion resistant polycarbonate
- External mounting tabs
- Available with circuit breaker, fuses, or no overcurrent protection
- Standard five-year limited warranty
- <https://ctlsys.com/product/wattnode-meter-enclosure/>

The WattNode<sup>®</sup> Meter Enclosure is a UL 508A polycarbonate NEMA 4X enclosure for the WattNode meter. It is available with a three-phase circuit breaker, a fuse block, or no circuit protection. The WattNode meter comes preinstalled when ordered with the enclosure.

## 1 Models

Table 1: Models

Model	Overcurrent Protection	Disconnect	Service Voltages
PE1-C-1	Three-phase circuit breaker	Yes	120 to 480 Vac
PE1-F-1	Three-phase fuse holder	No	120 to 600 Vac
PE1-N-1	None	No	120 to 600 Vac

The PE1-F-1 and PE1-N-1 do not contain an internal disconnect switch; an external disconnect switch or circuit breaker must be provided to disconnect power. The fuse holder is not rated to be operated under load and may not be used as a means of disconnect.

### 1.1 Ordering

Normally, the WattNode Meter Enclosure is ordered with a WattNode meter, and the meter is installed at the factory. If you wish to purchase an enclosure without the meter and will install the meter later, contact CCS to specify the meter model so that CCS can build the enclosure with the correct labeling and wiring diagram.

## 2 Specifications

### 2.1 Electrical

- **Line Frequency:** 50/60 Hz
- **Nominal Vac:** see the specifications for the installed WattNode meter
- **Maximum Full-Load Amps:** 50 mA
- **Short Circuit Current Rating:** 10 kA

### 2.2 Field Wiring Connections

- **Line Voltage (L1, L2, and L3):** 12 AWG wire recommended, copper only, 75°C rated
  - **Circuit breaker (ME1-C-1):**
    - **GE ElfaPlus:** 14 to 10 AWG; Torque: 4.0 N·m (30 lbs·in)
    - **Altech Corp. 3C5UL:** 14 to 10 AWG; Torque: 2.5 N·m (22.2 lbs·in)
  - **Fuse holder (ME1-F-1):** 14 to 10 AWG; Torque: 2.0 N·m (17.7 lbs·in)
  - **Screw terminals (ME1-N-1):** 14 to 10 AWG; Torque: 1.6 N·m (14.2 lbs·in)

- **Neutral:** White screw terminal, 14 to 10 AWG; Torque: 1.6 N·m (14.2 lbs-in)
- **Ground:** Green/yellow screw terminal, 14 to 10 AWG; Torque: 1.6 N·m (14.2 lbs-in)
- **Current Transformers:** Black six-position screw terminal, 28 to 12 AWG; Torque: 0.5 N·m (4.4 lbs-in)
- **Communication / Pulse Output:** Black four-position screw terminal, 28 to 12 AWG; Torque: 0.5 N·m (4.4 lbs-in)

## 2.3 Regulatory

- UL 508A Listed industrial control panel (U.S. and Canada), file number E495898

## 2.4 Components

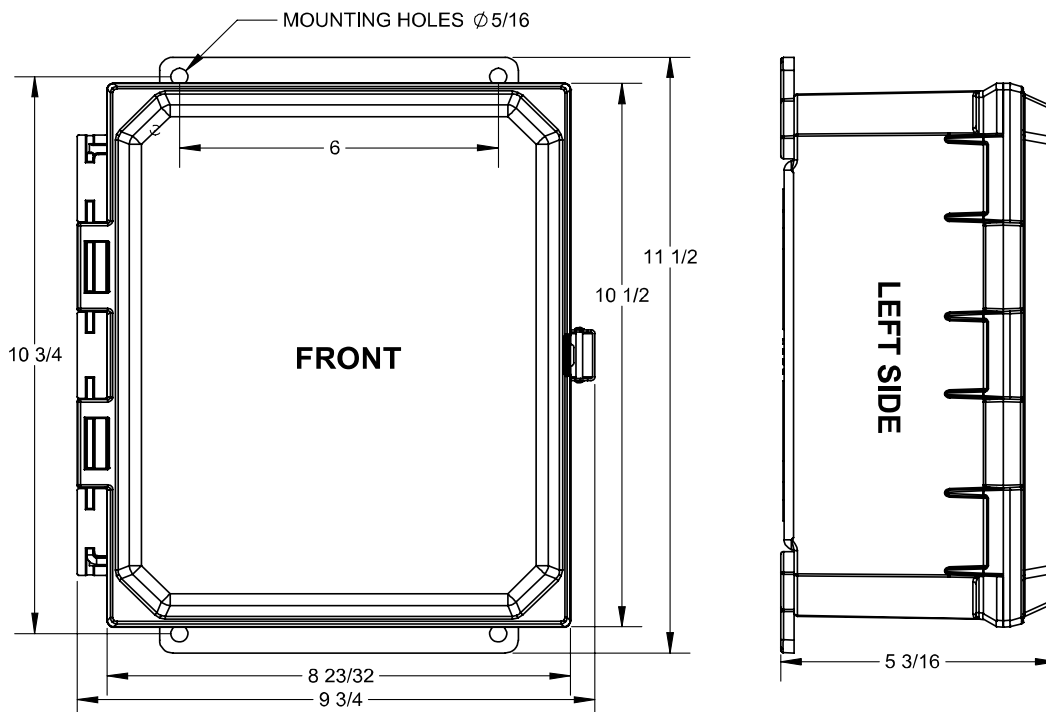
Note: the specific components are subject to change without notice.

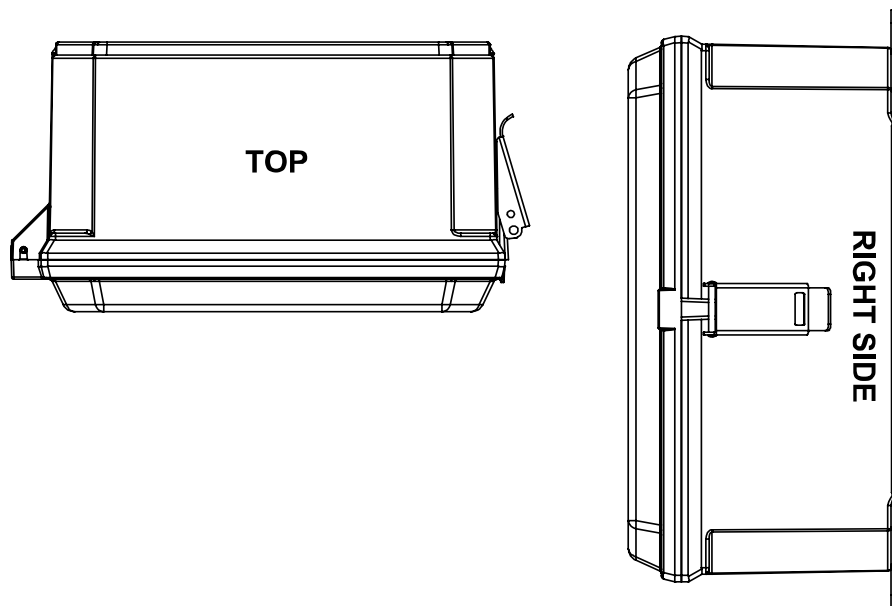
- **Enclosure:** Allied Moulded Products, Inc., UL 508A/CSA C22.2 No. 94 Type 1, 2, 3, 3R, 4, 4X, 12, and 13
- **Circuit Breaker:** Either of two circuit breakers may be present.
  - GE EP103ULH4C05 ElfaPlus Series, UL 489, 480Y/277 Vac, 5 A, 10 kA interrupting rating
  - Altech Corp. 3C5UL UL(AC) Series, UL 489, 480Y/277 Vac, 5 A, 10 kA interrupting rating
- **Circuit breaker padlock accessory (for lockout):** The accessory provided depends on the circuit breaker.
  - GE 283-190
  - Altech Corp. EASS
- **Fuse Holder:** Littelfuse LPSC0003Z, UL 4248-1 Class CC, 3 poles, 600 Vac, 30 A, 200 kA interrupting rating
- **Fuses:** Bussmann FNQ-R-2, Class CC, time-delay, UL 248-4, 600 Vac, 2 A, 200 kA interrupting rating  
(NOTE: Bussmann FNQ-R-1/2 fuses were used prior to January 2019)
- **Screw Terminals:** Phoenix Contact UT 6(-PE), UL 486A-486B, 600 Vac, 50 A  
(NOTE: Allen-Bradley 1492-J(G)6 screw terminals were used prior to February 2019)
- **General Wiring:** 12 AWG, stranded, 600 V, 90°C, UL style 1015

## 2.5 Environmental

- **Indoor Use:** Suitable for indoor use.
- **Outdoor Use:** Suitable for outdoor use. Enclosure provides a degree of protection against corrosion, windblown dust, water, and ice. **WARNING:** Direct sunlight exposure may cause overheating.

## 2.6 Mechanical





### 2.6.1 Enclosure

- **Type:** Allied Moulded Products, Inc. AMP1084NLF
- **NEMA Rating:** 1, 2, 3, 3R, 4, 4X, 12, and 13
- **IP Rating:** IP66
- **Exterior Dimensions:**
  - **Width:** 9.75 inches (248 mm)
  - **Height (without mounting tabs):** 10.5 inches (267 mm)
  - **Height (with mounting tabs):** 11.5 inches (292 mm)
  - **Thickness:** 5.19 inches (132 mm)
- **Mounting Plate:** 6.88 by 8.75 inches (175 mm by 222 mm), 14-gauge galvanized steel

### 2.6.2 Conduit Openings

There are no conduit openings in the meter enclosure as shipped, but instructions and templates for adding openings are provided.

### 2.6.3 Weight

The following are approximate weights of the completed enclosure with the meter installed.

- **PE1-C-1:** 6.0 pounds (2.7 kg)
- **PE1-F-1:** 5.6 pounds (2.5 kg)
- **PE1-N-1:** 5.3 pounds (2.4 kg)