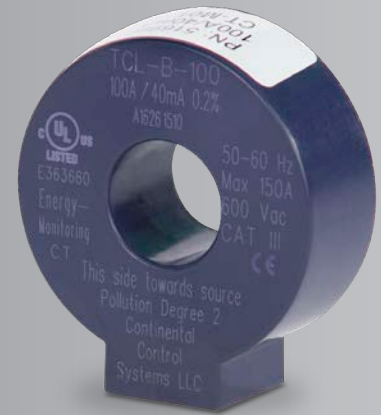


SOLID-CORE CURRENT TRANSFORMERS

Revenue-Grade Accuracy, (0.2%), 100 Amps/40mA



Overview

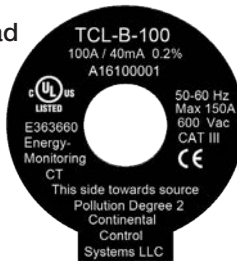
The TCL-B-100 / 40 mA solid-core current transformer provides revenue-grade accuracy for use with ANSI C12-class meters with a 40 mA output at full load of 100 amps. The solid-core defines how the CT is designed, and how it is installed.

Features

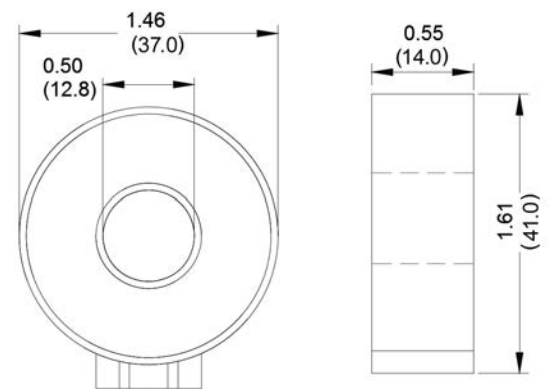
- 100 amps at full load, 40mA output at full load
- Revenue-grade, 0.20% accuracy, Class 02.S
- Solid-core design, compact, low cost
- 0.50 inch (13mm) opening
- UL Listed, CE, RoHS compliant

Specifications

- Accuracy: $\pm 0.20\%$ from 1% to 120% of rated primary current
- Primary Rated Amps: 100 amps / 40mA
- Maximum Primary Current: 250 amps
- Accuracy Class: IEEE / ANSI C57.13 class 0.3
- CE Accuracy: IEC 60044-1 class 0.2S
- CE Safety: CE
- RoHS Compliant
- UL USA: UL Listed, XOBA, UL 2808
- Standard lead length: 8 ft. (2.4 meters), 18 AWG PVC, 105°C, 600 V
- Phase Angle: ± 0.15 degrees (9 minutes) from 20% to 120% of rated current; ± 0.33 degrees (20 minutes) from 1% to 20% of rated current
- Operating Temperature: -40°C to 85°C (-40°F to 185°F)
- Line Frequency: 50/60 Hz
- Approx. Weight: 117 grams
- Serialized certificate of calibration available

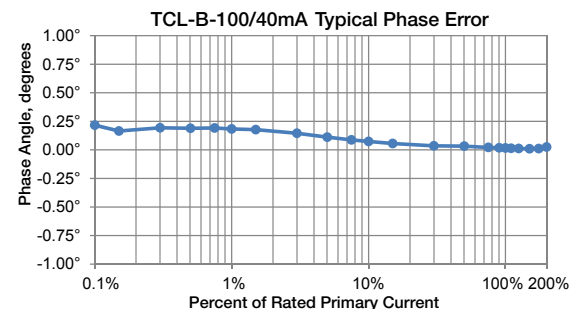
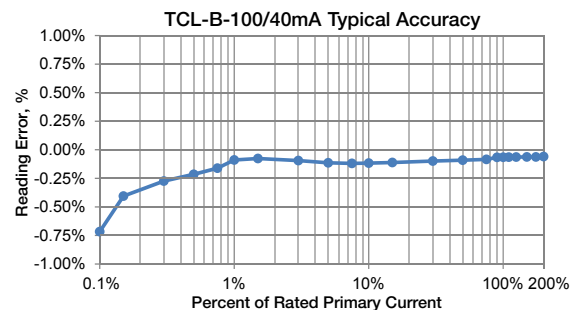


Dimensions



Dimensions in inches (mm)

Performance



Model Number	Rated Amps
TCL-B-100/40	100

WARNING

This product can expose you to chemicals including Diisononyl Phthalate (DINP), which is known to the State of California to cause cancer. For more information go to: www.P65Warnings.ca.gov



Socomec Group

2150 Miller Drive, Suite A • Longmont CO 80501 • USA
sales@ctlsys.com • www.ctlsys.com
 (888) 928-8663 • Fax (303) 444-2903

TCL-0.2-3.19.20: Specifications are subject to change